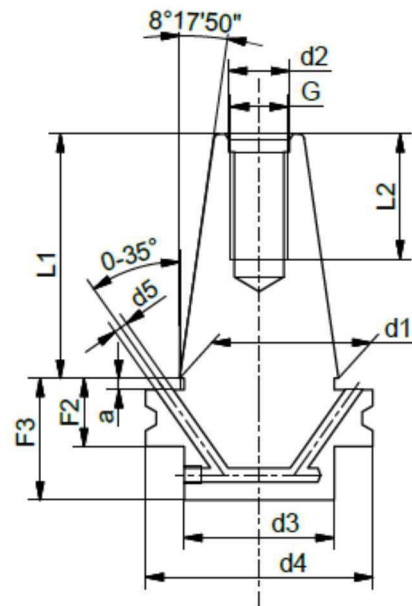
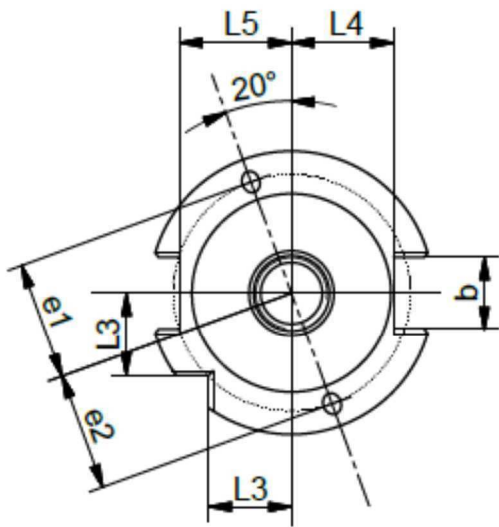


# DIN 69871 / A+B - ISO 7388 / 1

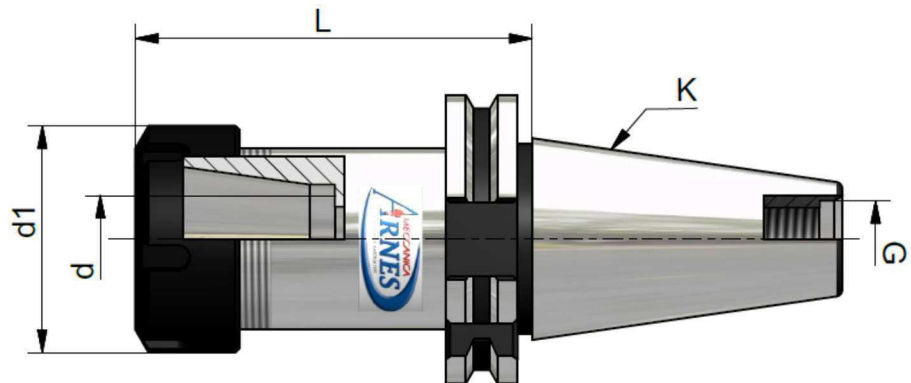
CARATTERISTICHE TECNICHE DIN 69871/A – ISO 7388/1  
 DIN 69871/A – ISO 7388/1 TECHNICAL CHARACTERISTICS  
 CARACTERÍSTICAS TÉCNICAS DIN 69871/A – ISO 7388/1



**Bilanciatura:**  
**G: 6,3; 12.000 rpm**

ART	ISO 30	ISO 40	ISO 45	ISO 50
a ± 0,1 mm	3,2	3,2	3,2	3,2
b H 12 mm	16,1	16,1	19,3	25,7
G	M 12	M 16	M 20	M 24
d mm	7	7	7	7
d1 mm	31,75	44,45	57,15	69,85
d2 H 7	13	17	21	25
d3 MAX	45	50	63	80
d4 -0,1 mm	50,00	63,55	82,55	97,5
d5 ± 0,05 mm	59,3	72,3	91,35	107,25
e1 ± 0,1 mm	21	27	35	42
e2 ± 0,1 mm	21	27	35	42
F1 ± 0,1 mm	11,1	11,1	11,1	11,1
F2 MIN mm	19,1	19,1	19,1	19,1
F3 - 0,1 mm	35	35	35	35
L1 - 0,3 mm	47,8	68,4	82,7	101,75
L2 MIN mm	24	32	40	47
L3 - 0,3 mm	15,0	18,5	24,0	30,0
L4 - 0,4 mm	16,4	22,8	29,1	35,5
L5 - 0,5 mm	19,0	25,0	31,3	37,7
Toll. del cono AT-3 mm	0,002	0,003	0,003	0,004

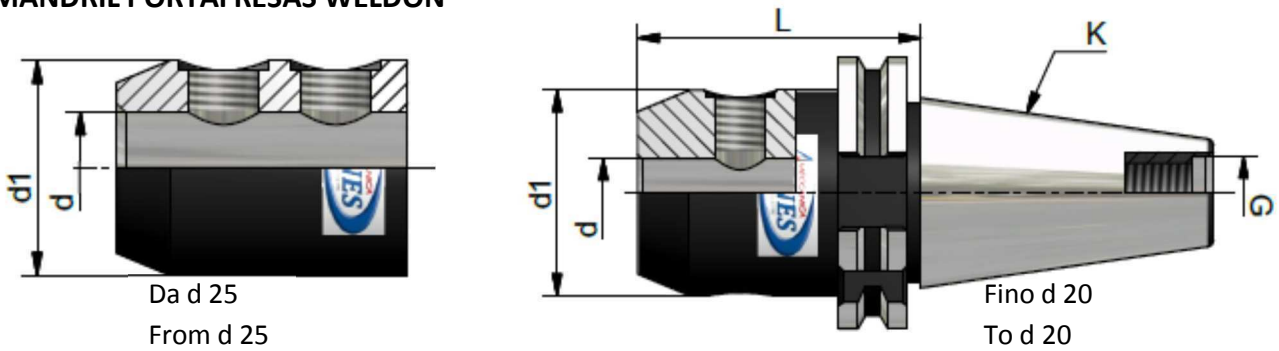
MANDRINI PORTA PINZE ER DIN 69871/A CON GHIERA DI SERRAGGIO  
 ER DIN 69871/A PINCERS HOLDER CHUCKS WITH LOCKING COLLAR  
 MANDRIL PORTAPINZAS ER DIN 69871/A PARA PINZAS ER



ART	K	d	d <sub>1</sub>	L	Pinze Pincers	G
* 698 P0/3025	ISO 30	2 - 16	42	55	ER 25	M 12
* 698 P1/3025		2 - 16	42	100	ER 25	
* 698 P0/3032		2 - 20	50	60	ER 32	
* 698 P1/3032		2 - 20	50	100	ER 32	
698 P0/4016	ISO 40	1 - 10	32	70	ER 16	M 16
698 P1/4016		1 - 10	32	100	ER 16	
698 P0/4020		1 - 13	35	70	ER 20	
698 P1/4020		1 - 13	35	100	ER 20	
698 P0/4025		2 - 16	42	70	ER 25	
698 P1/4025		2 - 16	42	100	ER 25	
698 P0/4032		2 - 20	50	70	ER 32	
698 P1/4032		2 - 20	50	100	ER 32	
698 P0/4040	3 - 30	63	70	ER 40	M 20	
698 P1/4040	3 - 30	63	100	ER 40		
* 698 P0/4532	ISO 45	2 - 20	50	70		ER 32
* 698 P1/4532		2 - 20	50	100		ER 32
* 698 P0/4540		3 - 30	63	80	ER 40	
698 P0/5032	ISO 50	2 - 20	50	80	ER 32	M 24
698 P1/5032		2 - 20	50	130	ER 32	
698 P0/5040		3 - 30	63	80	ER 40	
698 P1/5040		3 - 30	63	130	ER 40	
698 P0/5050		12 - 34	78	100	ER 50	
698 P1/5050		12 - 34	78	160	ER 50	

\* fornibile a richiesta \* by request \* disponible bajo pedido

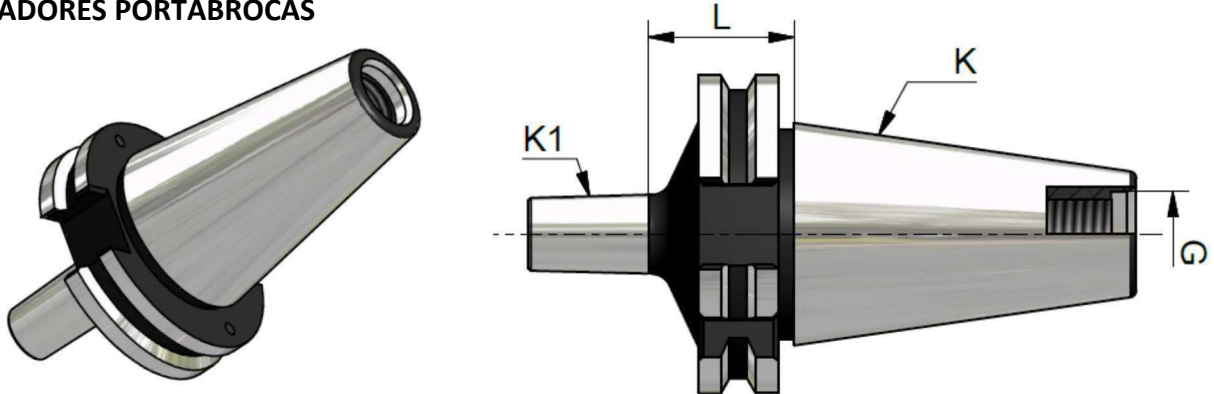
**MANDRINI PORTA FRESE TIPO WELDON**  
**MILLING CUTTERS HOLDER CHUCKS WELDON MODEL**  
**MANDRIL PORTAFRESAS WELDON**



ART	K	d	d <sub>1</sub>	L	G
* 698 W0/3006	ISO 30	6	25	50	M 12
* 698 W0/3008		8	28	50	
* 698 W0/3010		10	25	50	
* 698 W0/3012		12	42	50	
* 698 W0/3016		16	48	70	
* 698 W0/3020		20	52	70	
698 W0/4006	ISO 40	6	25	50	M 16
698 W0/4008		8	28	50	
698 W0/4010		10	25	50	
698 W0/4012		12	42	50	
698 W0/4016		16	48	63	
698 W0/4020		20	52	63	
698 W0/4025		25	65	35	
698 W1/4025		25	65	100	
698 W0/4032	32	72	100		
* 698 W0/4506	ISO 45	6	25	63	M 20
* 698 W0/4508		8	28	63	
* 698 W0/4510		10	25	63	
* 698 W0/4512		12	42	63	
* 698 W0/4516		16	48	63	
* 698 W0/4520		20	52	63	
* 698 W0/4525		25	65	100	
* 698 W0/4532		32	72	100	
698 W0/5006	ISO 50	6	25	63	M 24
698 W0/5008		8	28	63	
698 W0/5010		10	25	63	
698 W0/5012		12	42	63	
698 W0/5016		16	48	63	
698 W0/5020		20	52	63	
698 W0/5025		25	65	35	
698 W1/5025		25	65	80	
698 W0/5032		32	72	35	
698 W1/5032		32	72	100	
698 W0/5040		40	80	120	

\* fornibile a richiesta \* by request \* disponible bajo pedido

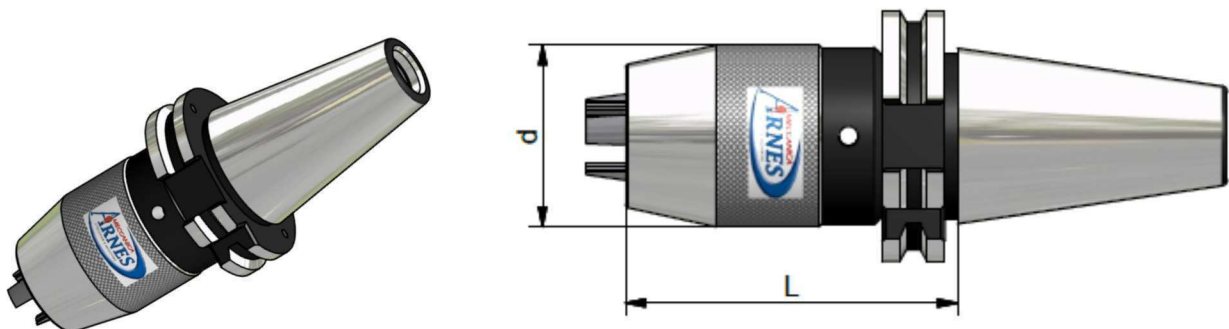
ATTACCHI PER MANDRINI PORTA PUNTE  
 CONNECTIONS FOR DRILL HOLDER  
 ADAPTADORES PORTABROCAS



ART	K	K1	L	G
* 698 B0/3012	ISO 30	B 12	25	M 12
* 698 B0/3016		B 16	25	
698 B0/4012	ISO 40	B 12	40	M 16
698 B0/4016		B 16	40	
698 B0/4018		B 18	40	
* 698 B0/4516	ISO 45	B 16	40	M 20
698 B0/5012	ISO 50	B 12	40	M 24
698 B0/5016		B 16	40	
698 B0/5018		B 18	40	

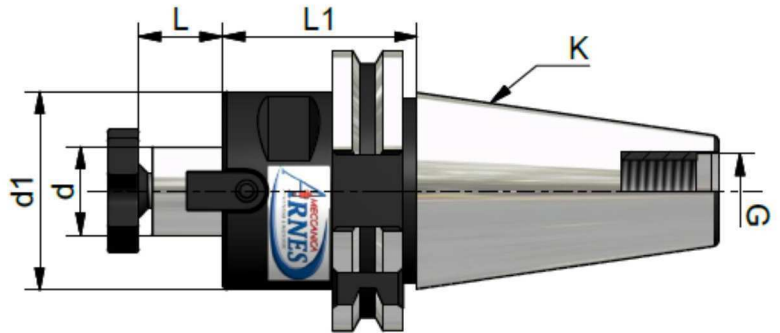
\* fornibile a richiesta \* by request \* disponible bajo pedido

MANDRINI PORTA PUNTE INTEGRALE  
 MONOLITHIC DRILL CHUCKS  
 PORTABROCAS INTEGRALES CNC



ART	L	Cap. Ø	d
698 PP0/4013	100	0 ÷ 13	51
698 PP0/4016	115	3 ÷ 16	58
698 PP0/5013	100	0 ÷ 13	51
698 PP0/5016	105	3 ÷ 16	58

MANDRINI PORTA FRESE TRASCINAMENTO FISSO  
 MILLING CUTTERS CHUCKS WITH FIXED DRAGGING  
 MANDRIL PORTAFRESAS FIJO



ART	K	d	d <sub>1</sub>	L	L <sub>1</sub>	G
* 698 F0/3016		16	32	17	35	
* 698 F0/3022	ISO 30	22	40	19	35	M 12
* 698 F0/3027		27	48	21	35	
698 F0/4016		16	32	17	45	
698 F0/4022		22	40	19	45	
698 F0/4027	ISO 40	27	48	21	50	M 16
698 F0/4032		32	58	24	55	
698 F0/4040		40	70	27	55	
	ISO 45	* fornibile a richiesta * by request				M 20
698 F0/5022		22	40	19	45	
698 F0/5027	ISO 50	27	48	21	45	M 24
698 F0/5032		32	58	24	55	
698 F0/5040		40	70	27	55	

\* fornibile a richiesta \* by request \* disponible bajo pedido

**NOTE:**

---



---



---

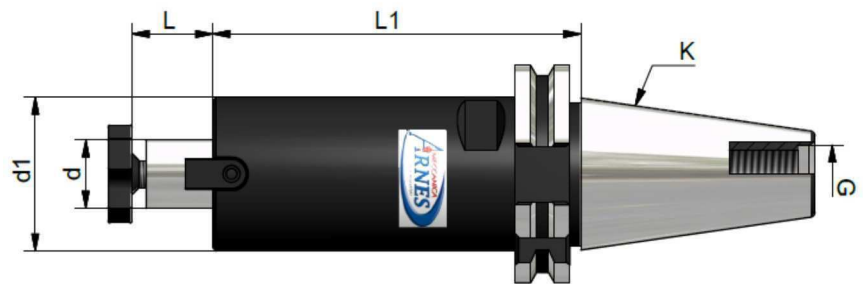


---



---

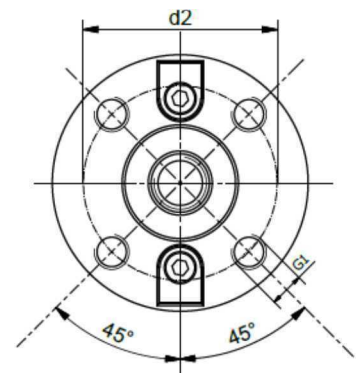
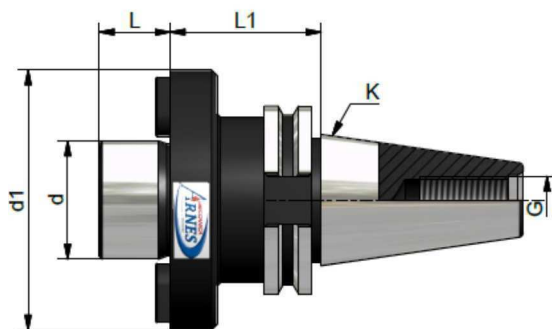
MANDRINI PORTA FRESE TRASCINAMENTO FISSO – tipo prolungato  
 MILLING CUTTERS CHUCKS WITH FIXED DRAGGING – prologued type  
 MANDRIL PORTAFRESAS FIJO – modelo prolongado



ART	K	d	d <sub>1</sub>	L	L <sub>1</sub>	G
* 698 F1/3016	ISO 30	16	32	17	100	M 12
* 698 F1/3022		22	40	19	100	
698 F1/4016	ISO 40	16	32	17	100	M 16
698 F1/4022		22	40	19	100	
698 F1/4027		27	48	21	100	
403 F1/4032		32	58	24	100	
	ISO 45	* fornibile a richiesta * by request				M 20
698 F1/5022	ISO 50	22	40	19	100	M 24
698 F1/5027		27	48	21	100	
698 F1/5032		32	58	24	100	
698 F1/5040		40	70	27	100	

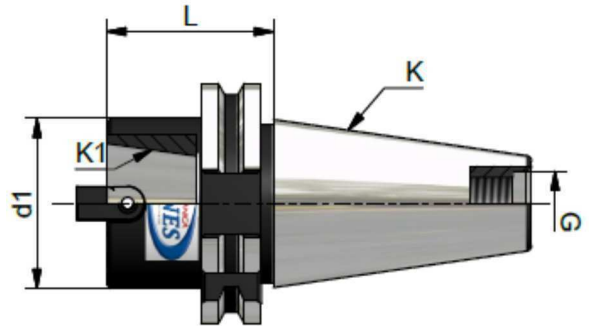
\* fornibile a richiesta \* by request \* disponible bajo pedido

MANDRINI PORTA FRESE PER FRESE AD INSERTI  
 MILLING CUTTERS HOLDERCHUCKS FOR MILLING CUTTERS WITH INSERT  
 MANDRIL PORTAFRESAS PARA FRESA AD INSERTO



ART	K	d	d <sub>1</sub>	d <sub>2</sub>	G <sub>1</sub>	L	L <sub>1</sub>	G
698 10/4040	ISO 40	40	88	66,7	M 12	24	60	M 16
698 10/5040	ISO 50	40	88	66,7	M 12	24	70	M 24
698 10/5060	ISO 50	60	128	101,6	M 16	29	70	M 24

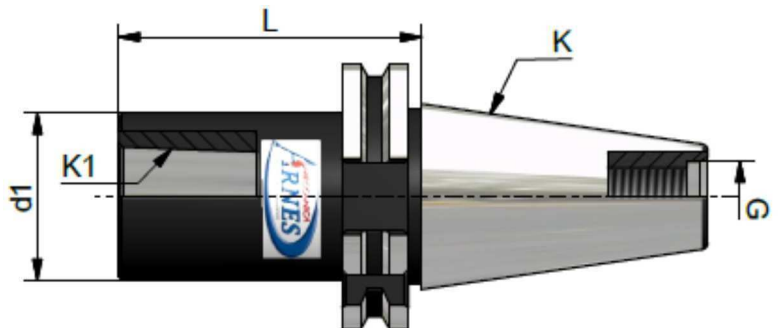
MANDRINI RIDUZIONE DA CONO ISO A CONO ISO  
 REDUCTION CHUCKS FROM ISO CONE TO ISO CONE  
 CONO REDUCTORES CONOS ISO – CONOS ISO



ART	K	K1	d	L	G
698 A0/4030	ISO 40	ISO 30	50	70	M 16
* 698 A0/4540	ISO 45	ISO 40	63	70	M 20
698 A0/5040	ISO 50	ISO 40	63	70	M 24

\* fornibile a richiesta \* by request \* disponible bajo pedido

MANDRINI RIDUZIONE CONO MORSE PER FRESE  
 MORSE CONE REDUCTION CHUCKS FROM FOR MILLING CUTTERS  
 MANDRIL REDUCTORES A MORSE PARA FRESAS

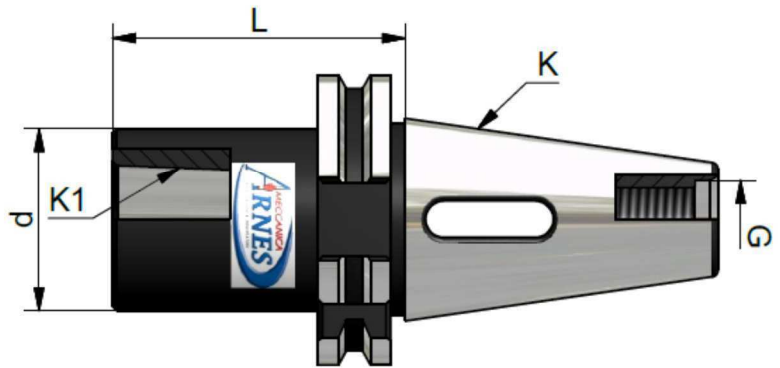


ART	K	K1	d1	L	G
* 698 MF0/3002	ISO 30	CM2	32	60	M 12
* 698 MF0/3003		CM3	40	80	
698 MF0/4001	ISO 40	CM1	25	50	M 16
698 MF0/4002		CM2	32	50	
698 MF0/4003		CM3	40	70	
698 MF0/4004		CM4	48	95	
* 698 MF0/4502	ISO 45	CM2	32	50	M 20
* 698 MF0/4503		CM3	40	70	
* 698 MF0/4504		CM4	48	100	
698 MF0/5002	ISO 50	CM2	32	60	M 24
698 MF0/5003		CM3	40	65	
698 MF0/5004		CM4	48	95	
698 MF0/5005		CM5	63	100	

\* fornibile a richiesta \* by request \* disponible bajo pedido



MANDRINI RIDUZIONE CONO MORSE PER PUNTE  
 MORSE CONE REDUCTION CHUCKS FOR DRILLS  
 MANDRIL REDUCTORES A MORSE PARA BROCCAS



ART	K	K1	d	L	G
*698 M0/3001	ISO 30	CM1	25	50	M 12
* 698 M0/3002		CM2	32	60	
* 698 M0/3003		CM3	40	80	
698 M0/4001	ISO 40	CM1	25	50	M 16
698 M0/4002		CM2	32	50	
698 M0/4003		CM3	40	70	
698 M0/4004		CM4	48	95	
* 698 M0/4502	ISO 45	CM2	32	50	M 20
*698 M0/4503		CM3	40	70	
* 698 M0/4504		CM4	48	90	
698 M0/5002	ISO 50	CM2	32	60	M 24
698 M0/5003		CM3	40	65	
698 M0/5004		CM4	80	95	
698 M0/5005		CM5	63	105	

\* fornibile a richiesta \* by request \* disponible bajo pedido

**NOTE:**

---



---



---



---

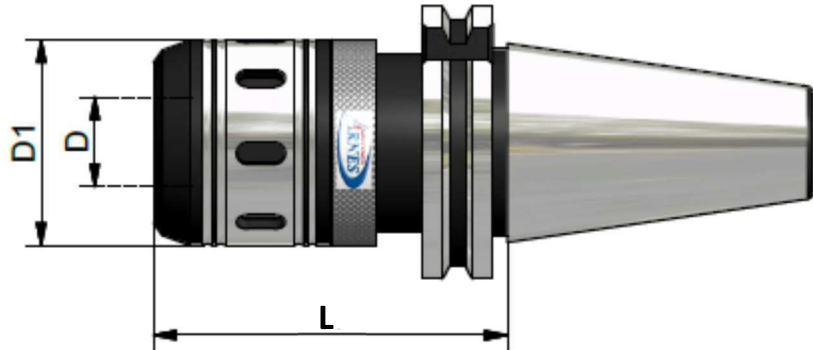


---



MANDRINI A FORTE SERRAGGIO  
 MILLING CHUCK  
 MANDRIL A FUERTE SUJECIÓN

**NEW**



ART	ISO	Descrizione	D	D1	L
698FS4020080	40	ISO40 DIN69871 F. SERR. Ø20 H80	20	46	80
698FS4032095	40	ISO40 DIN69871 F. SERR. Ø32 H95	32	62	95
698FS4020085	50	ISO50 DIN69871 F. SERR. Ø20 H85	20	46	85
698FS4032085	50	ISO50 DIN69871 F. SERR. Ø32 H85	32	62	85

**NOTE:**

---



---



---



---



---



---



---



---



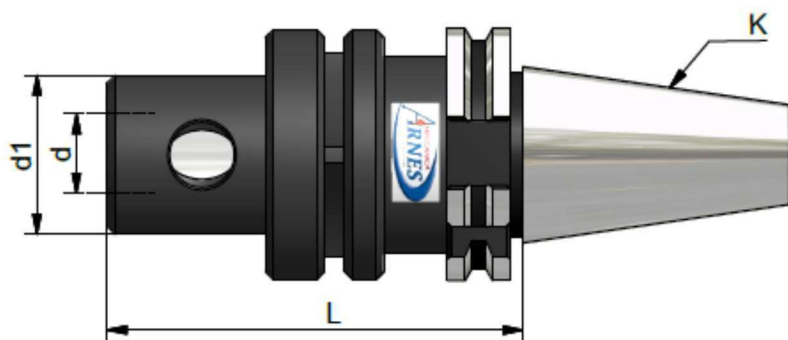
---



---

ZERO TOP ATTACCO CILINDRICO  
 ZERO TOP CONNECTION CYLINDRICAL  
 ZERO TOP CONEXIÓN CILÍNDRICO

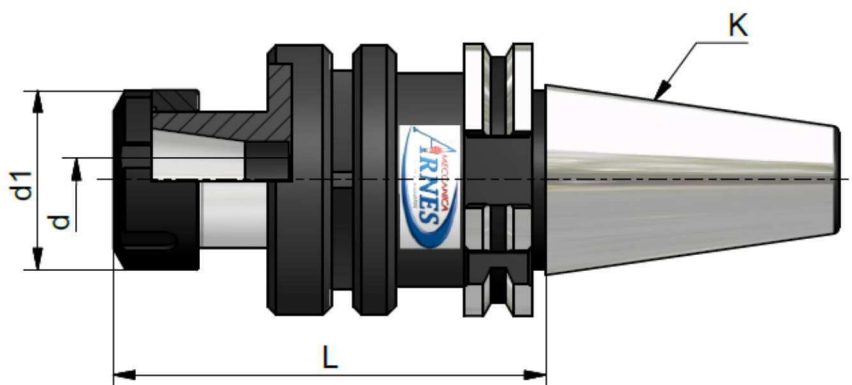
**NEW**



ART	K	d	d1	L
698ZTC/4010	ISO 40	10	34	95
698ZTC/4014	ISO 40	14	34	95
698ZTC/4016	ISO 40	16	38	95
698ZTC/4018	ISO 40	18	40	95
698ZTC/4020	ISO 40	20	40	105
698ZTC/4025	ISO 40	25	40	105
698ZTC/5010	ISO50	10	34	95
698ZTC/5014	ISO50	14	34	95
698ZTC/5016	ISO50	16	38	95
698ZTC/5018	ISO50	18	40	95
698ZTC/5020	ISO50	20	40	105
698ZTC/5025	ISO50	25	40	105

ZERO TOP PORTA PINZE ER  
 ZERO TOP HOLDER PINCERS ER  
 ZERO TOP PORTAPINZAS ER

**NEW**



ART	K	d	d1	L
698ZTP0/4020	ISO 40	1 - 13	35	105
698ZTP0/4025	ISO 40	2 - 16	42	105
698ZTP0/5020	ISO 50	1 - 13	35	105
698ZTP0/5025	ISO 50	2 - 16	42	105